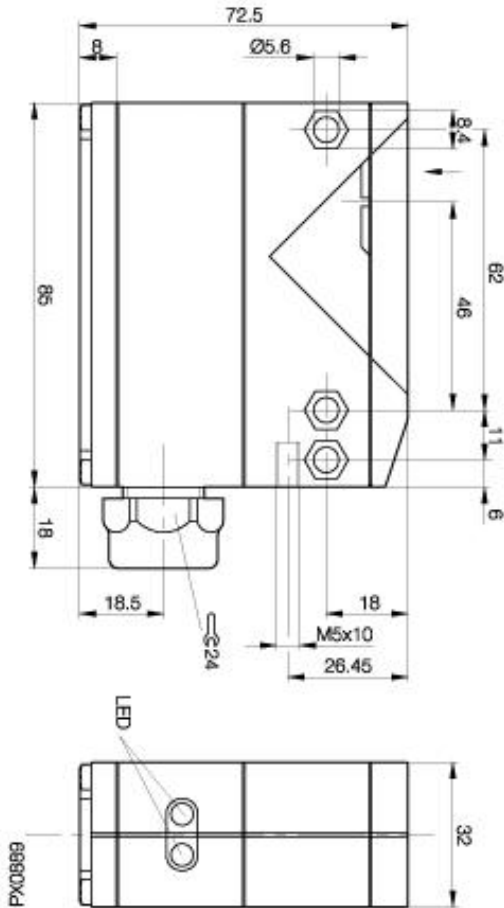


Photoelectric Sensor BOS 65K-5-B8T-2P-S 4 Sn=8000mm Retroreflective



Common Data

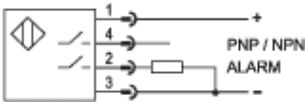
Series	65K
Sensortype	Retroreflective
Switching frequency	500 Hz
Rated operating distance Sn in mm	8000
asured operating distance Sa	adjustable
Repeat accuracy	< 5% from Sn
Hysteresis	< 10%
Indication Switching element on	yes, red LED
Indication Special funktion	LED green Stability indicator
Ambient temperature	-20...+55°C
On-delay	< 1ms
Off-delay	< 1ms
Light	Red light
Sensitivity Adjustment	Poti
Blind zone / min Reflector distance	0/300 mm
Special funktion	Polarizing filter, time funktion
Permissable ambient light	3000 Lux
Output funktion	light-on or dark-on

Mechanical Data

Measurements	85x72,5x32
Shock	Halfsinus, 30gn, 11ms
Vibration	10...55Hz, 1,5mm Amplitude 3x2h
Housing material	Polycarbonat
Material of sensing face	PMMA
Degree of protection	IP67
Connection	Connector S4 (M12)
Weigth	180g
Recommended connector	BKS-S20-8

Electrical Data

Current	DC
Switching funktion	NO/NC
Output	PNP/NPN
Rated operational current Ie	200mA
Supply Voltage	10...30V DC
Frequency of Supply Voltage	DC
No-load supply current	≤ 40mA
Voltage drop	<2V
Short protection	yes
Rated insulation voltage	75V DC
max. Load capacity	0,33μF



Utilization categories
Insulation class

Datasheet number:

Definitions see general catalog.
If not otherwise noted, ratings according to
IEC 60947-5-2 (DIN EN60947-5-2)

Balluff GmbH
Schurwaldstrasse 9
73765 Neuhausen a.d.F.
Phone (07158) 173-0 Fax (07158) 5010

Datenblatt by CD-ROM - 04/2007

BALLUFF
sensors worldwide